






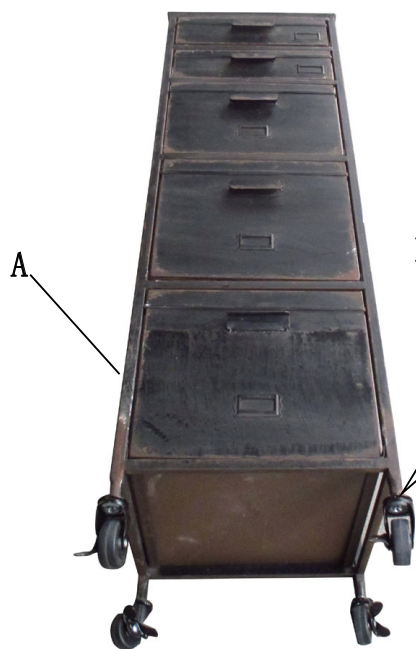
STUFF

cabinet

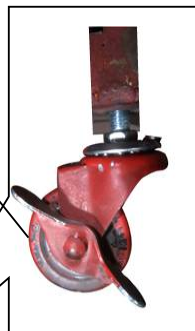
1. PARTS					
NAME	SKETCH	QUANTITY	NAME	SKETCH	QUANTITY
A		1PC	B		4PCS
C		1PC			

2. INSTRUCTION STEPS

1



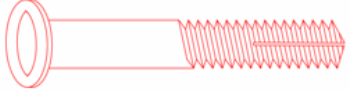
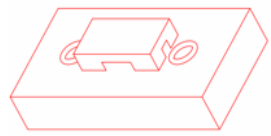
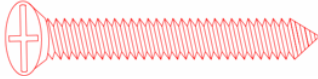

2






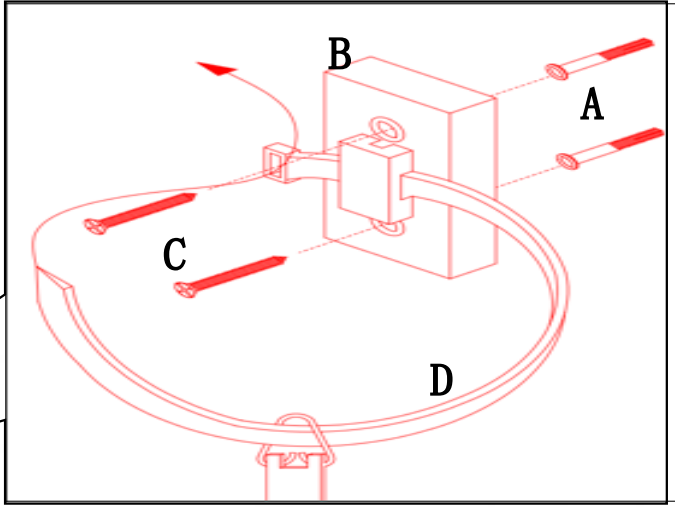
STUFF


cabinet

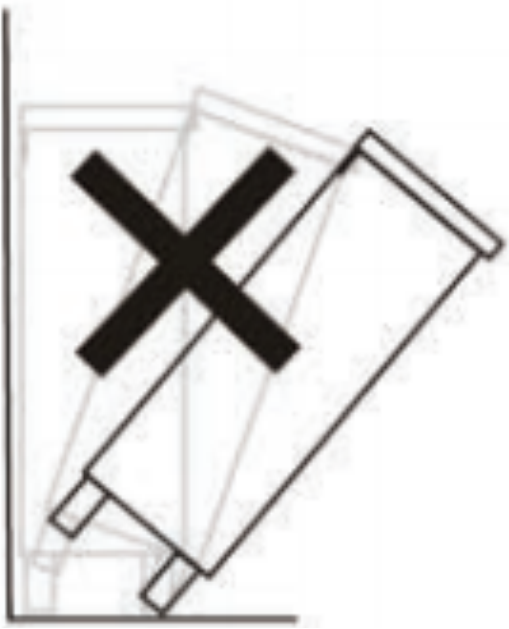
A		4PCS	B		2PCS
C		4PCS	D		2PCS

2. Instruction









Remark: Above photo for cabinet is for reference only