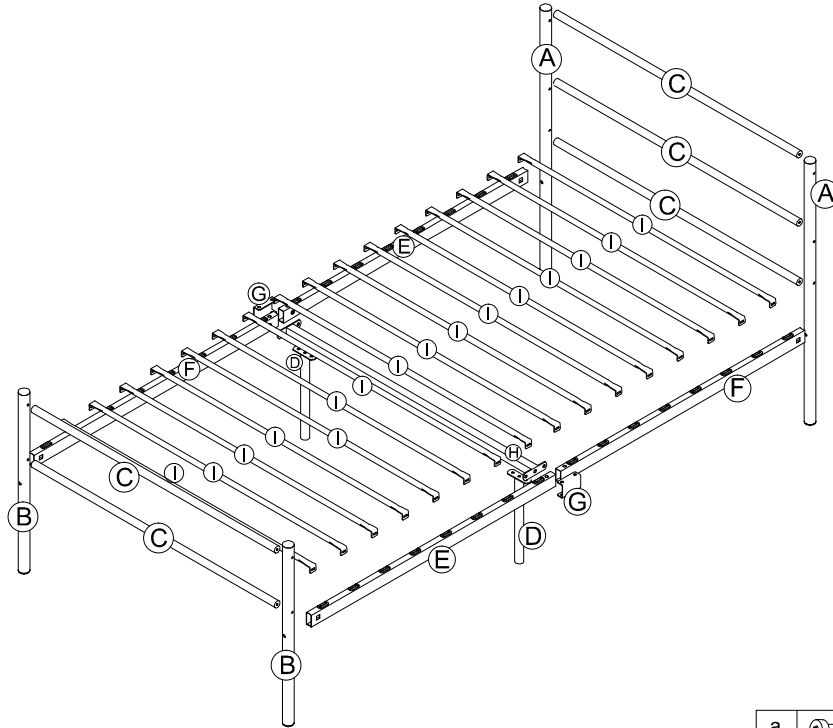
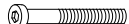
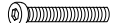
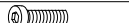
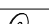


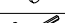



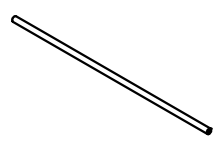

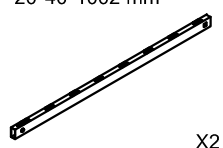
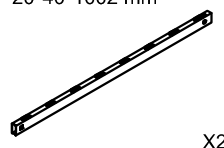
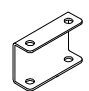
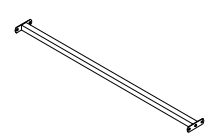
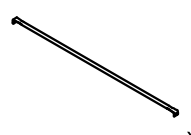


ELON

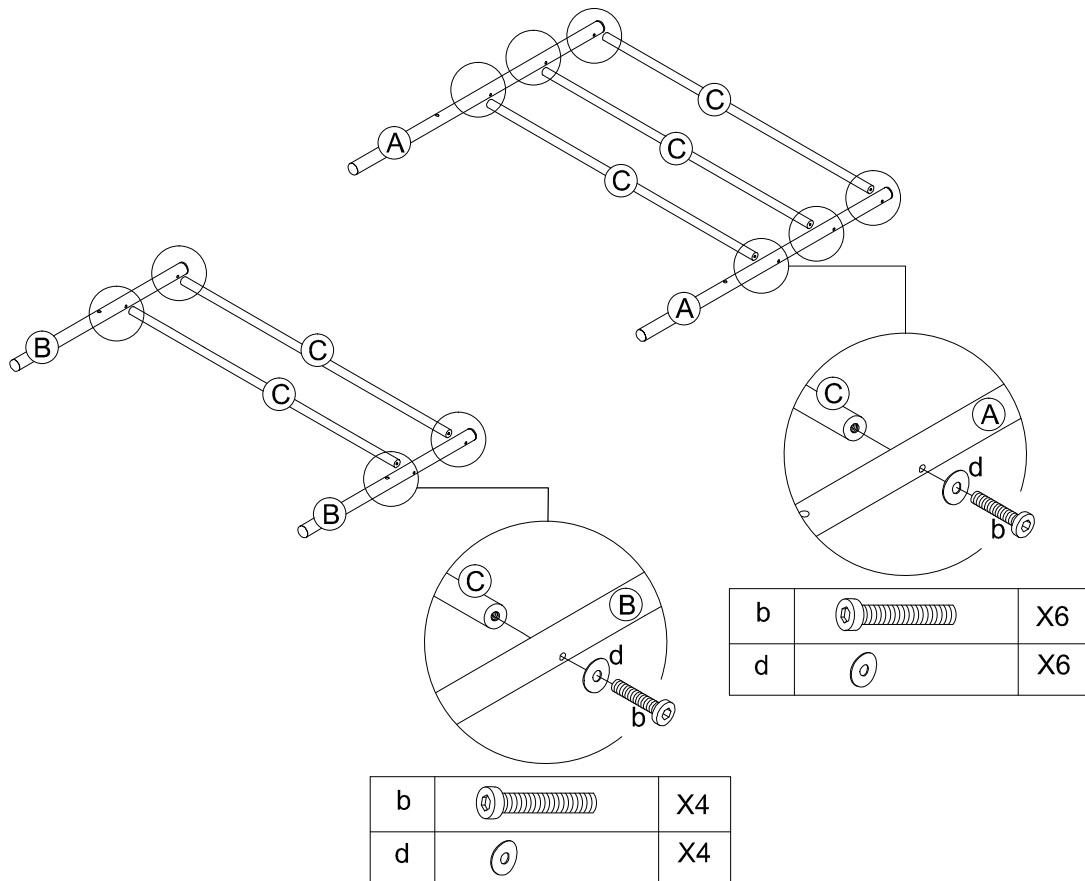
metal bed



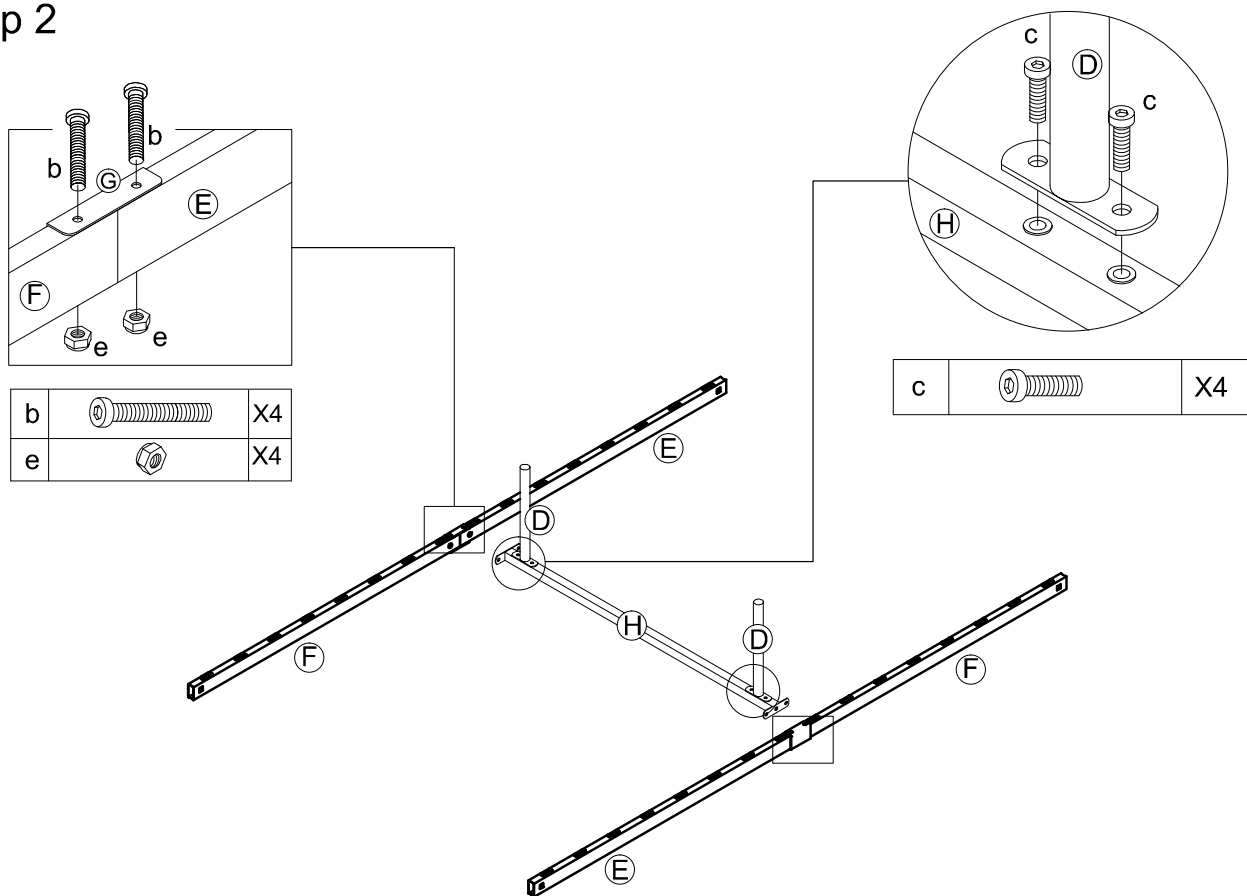
a		M8x65mm	X4
b		M6x50mm	X14
c		M6x15mm	X8
d		M6	X10
e		M6	X4
f			X4
g			X1
i			X1

<p>A Ø32*880 mm</p>  <p>X2</p>	<p>B Ø32*600 mm</p>  <p>X2</p>	<p>C Ø22*848 mm</p>  <p>X5</p>	<p>D 286*76*25 mm</p>  <p>X2</p>
<p>E 20*40*1002 mm</p>  <p>X2</p>	<p>F 20*40*1002 mm</p>  <p>X2</p>	<p>G 70*45*22 mm</p>  <p>X2</p>	<p>H 860*90*25 mm</p>  <p>X1</p>
<p>I Ø16*882 mm</p>  <p>X16</p>			

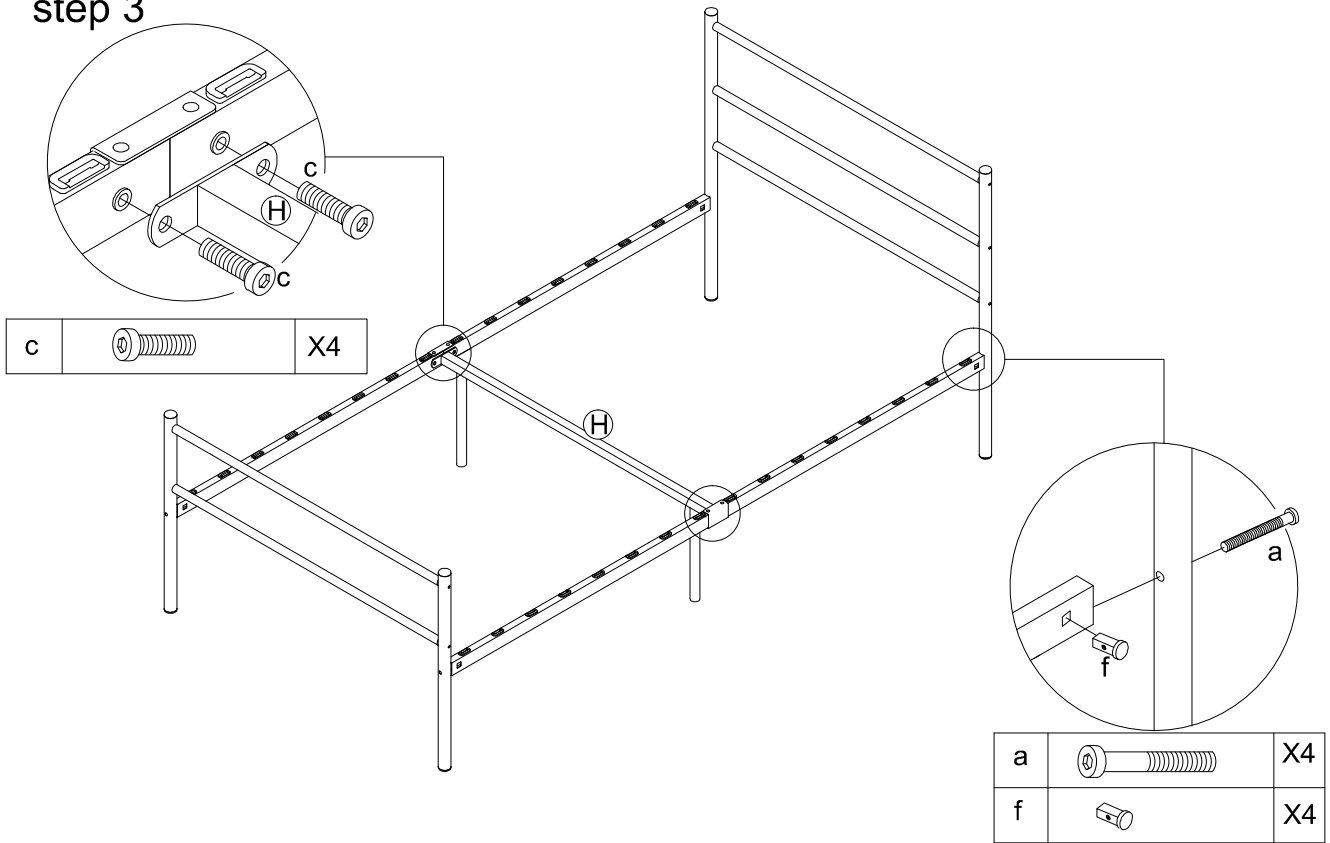
step 1



step 2



step 3



step 4

